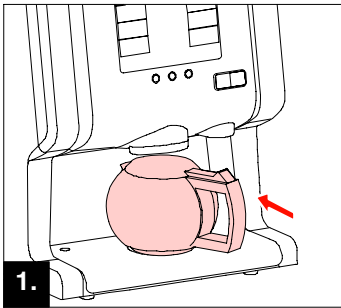
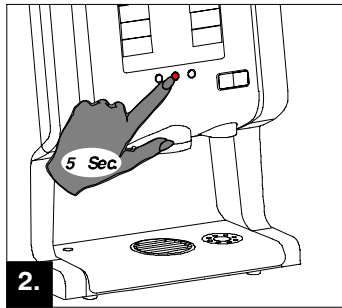


Three times a day*

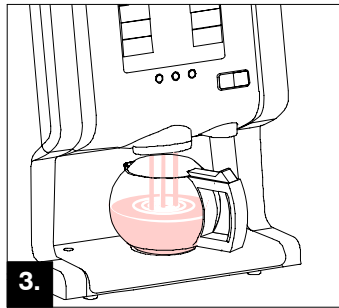
BOLERO XL (2008)



1. Place empty jug.

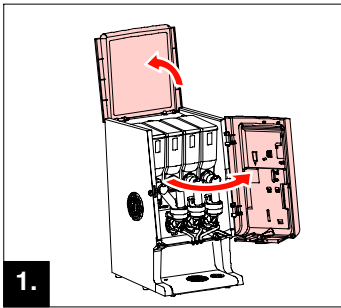


2. Press the rinsing key for 5 sec.

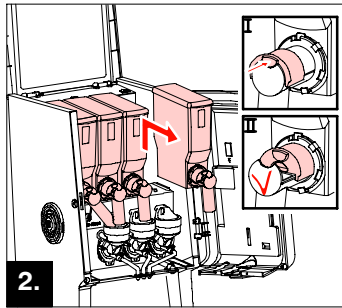


3. Rinsingprogram is running.

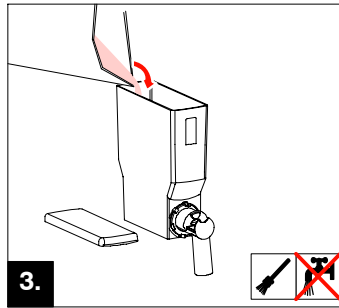
Daily



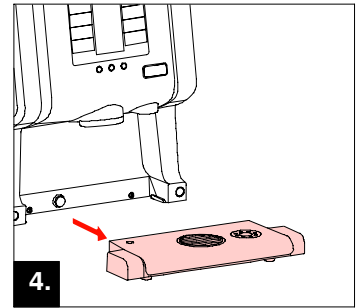
1. Open door and cover.



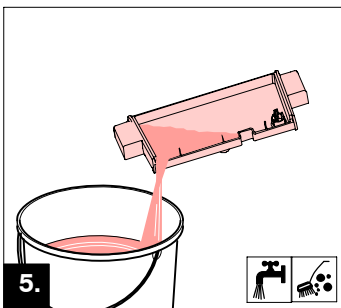
2. Remove the canister.



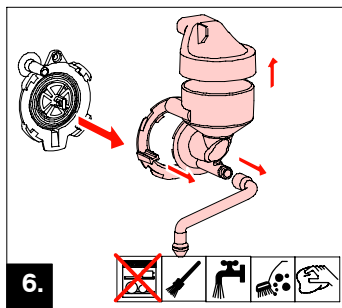
3. Fill up with ingredients.



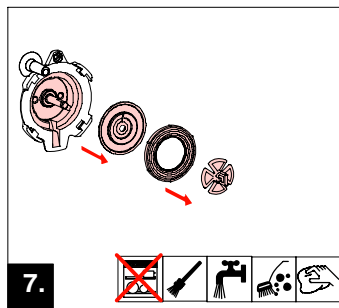
4. Remove drip-tray.



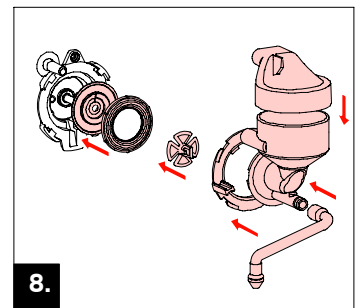
5. Empty and clean the drip-tray.



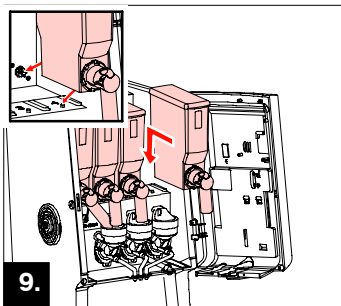
6. Dismount and clean the mixing unit.



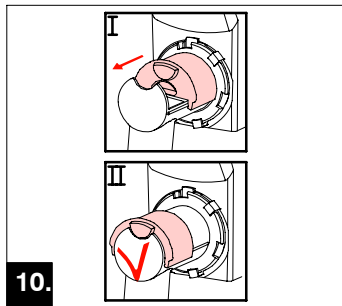
7. Clean the shaft, gasket and exhaust opening.



8. Mount the mixing unit.



9. Replace the canisters.



10. Open the canisters outlets.

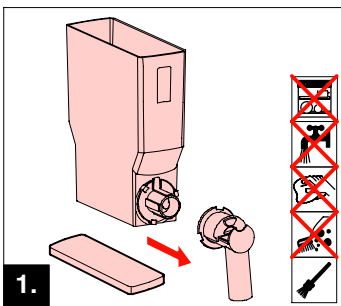


11. Rinsingprogram.

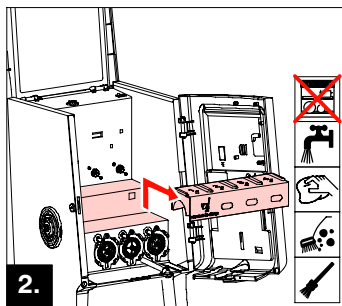
Three times a day*

1. 2. 3.

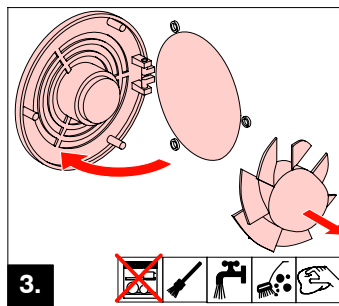
Weekly



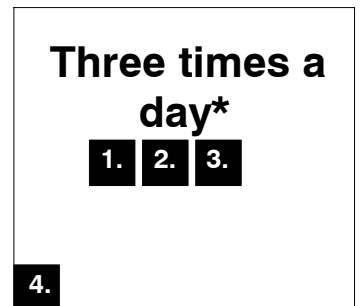
1. Empty and clean canister.



2. Remove and clean the ventilation system.



3. Clean fan grille and fan blade.



4. Rinsingprogram.

Three times a day*

1. 2. 3.